

AD-509

Automatic Duplex Unit

INSTALLATION MANUAL

Applied Machines: 225i/205i; 236/226/206; 235/215/195
 MFP: 23 ppm/22 ppm/21 ppm/20 ppm/19 ppm
 Product Code: ACN2/ACN3; A8A5/A8A6; A3PE/A3R2

1. Pre-installation check items

■ General checks

- Refer to “Pre-installation check items” described in the installation manual of the main body.
- Be sure to turn OFF the main power switch of the main body and unplug the power cord before starting the installation.
- Do not turn the power ON before the instruction.

■ Notice about this option


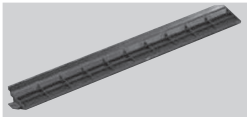
● Tools/jigs required for installation

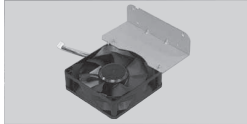

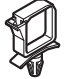


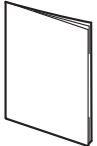
- Stubby driver

■ Notice about description contents of the manual

- This manual provides the illustrations of the accessory parts and machine that may be slightly different in shape from yours. In that case, instead of the illustrations, use the appearance of your machine to follow the installation procedure. This does not cause any significant change or problem with the procedure.
- If none of the later steps instruct you to use the parts including screw and cover that you removed following the instructions described in this manual, discard them.

2. Accessory parts

No.	Name	Shape	Q'ty
1.	Automatic duplex unit		1
2.	Transport guide		1

No.	Name	Shape	Q'ty
3.	Cooling fan assembly		1
4.	Metal plate		2
5.	Wire saddle		1
6.	Screw A (3 x 8 mm)		1
7.	Screw B (3 x 8 mm)		3
8.	Installation manual		1 set

! WARNING



Keep this bag away from babies and children. Do not use in cribs, beds, carriages, or playpens.



The thin film may cling to nose and mouth and prevent breathing. This bag is not a toy.

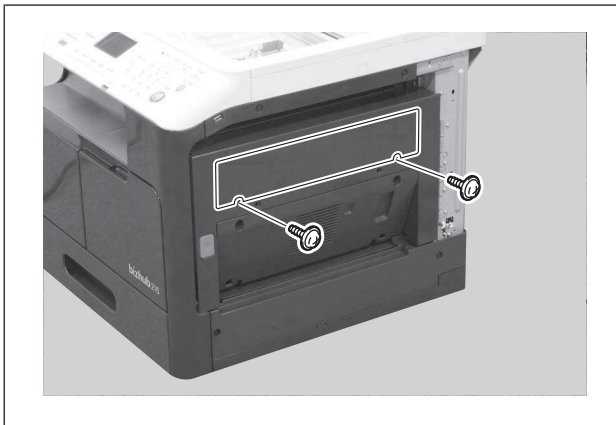


3. Installation procedures

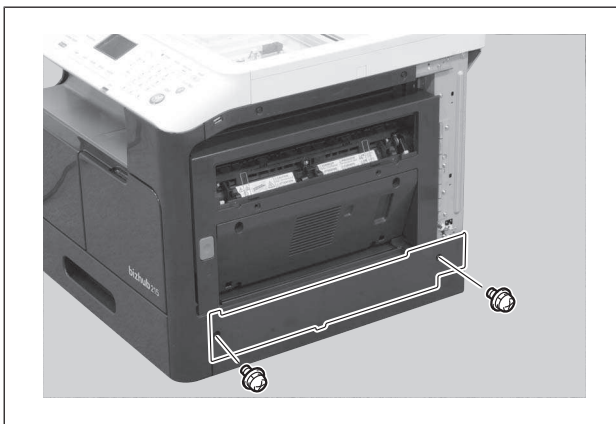
- (1) Turn OFF the main power switch and unplug the power cord from the power outlet.
- (2) Remove the indicated cover from the rear right side of the main body. (Two screws)



- (3) Remove the indicated cover from the right door of the main body. (Two screws)

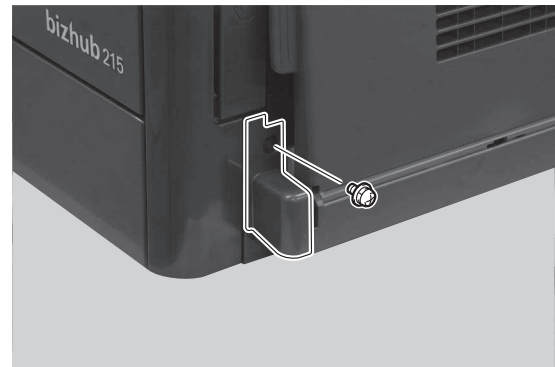
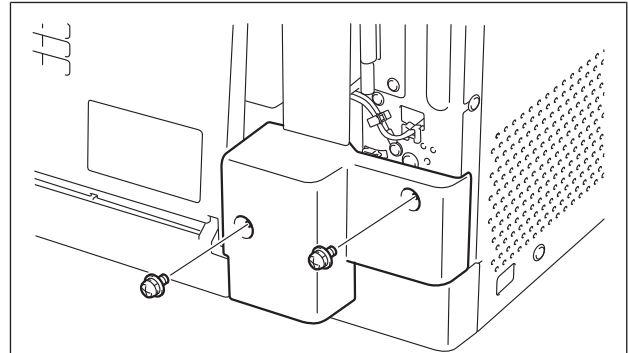


- (4) Perform the following procedure.
<When the multi bypass tray is not installed>
 - a) Remove the indicated cover from the lower right side of the main body. (Two screws)

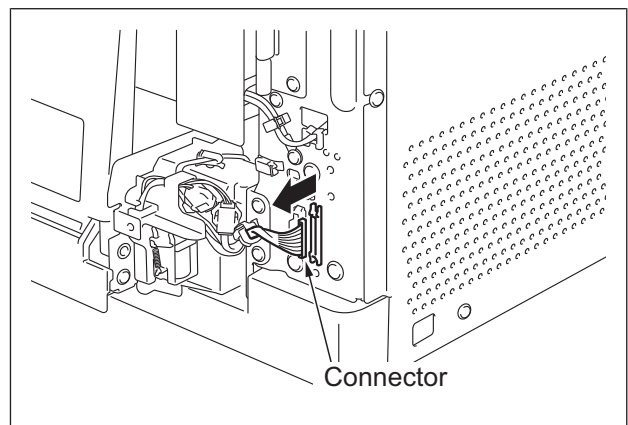


<When the multi bypass tray is installed>

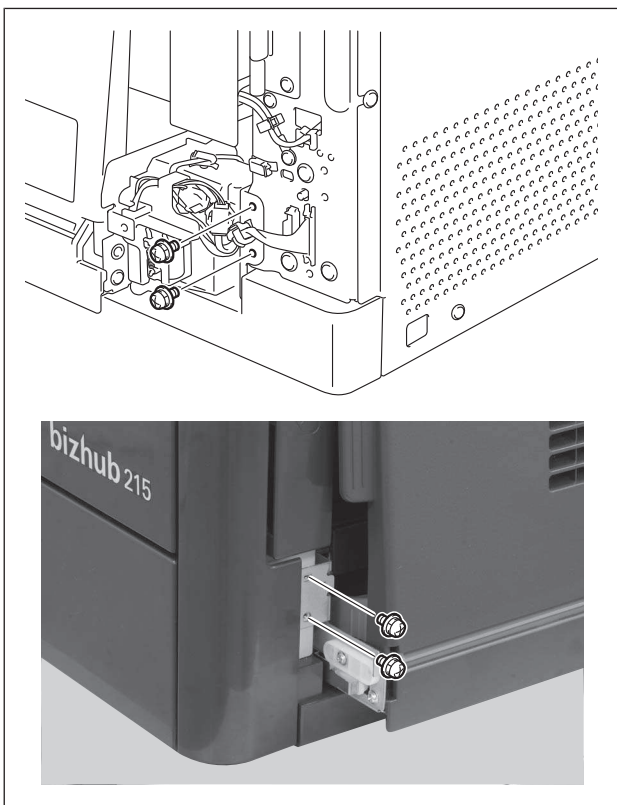
- a) Remove the covers (left and right). (Three screws)



- b) Disconnect the connector.



c) Remove the four screws.

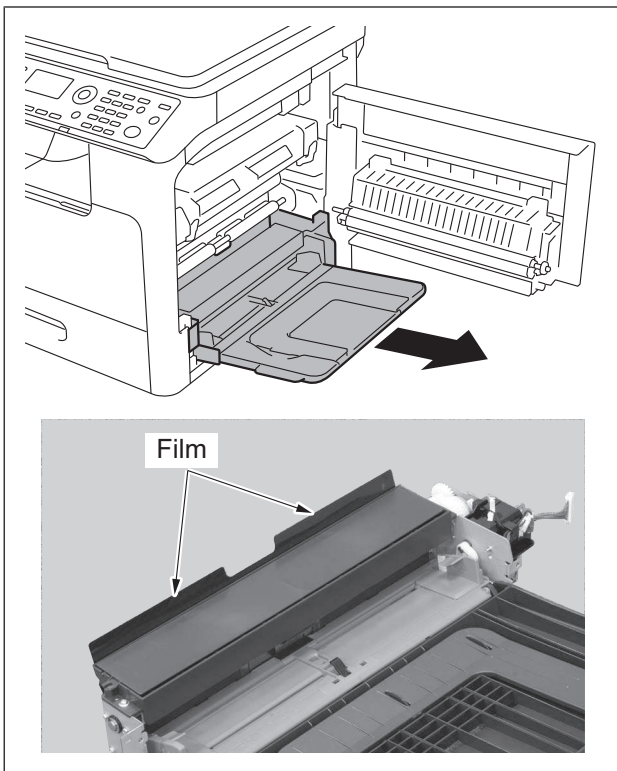


d) Open the multi bypass tray and the right door of the main body.

e) Remove the multi bypass tray.

Note:

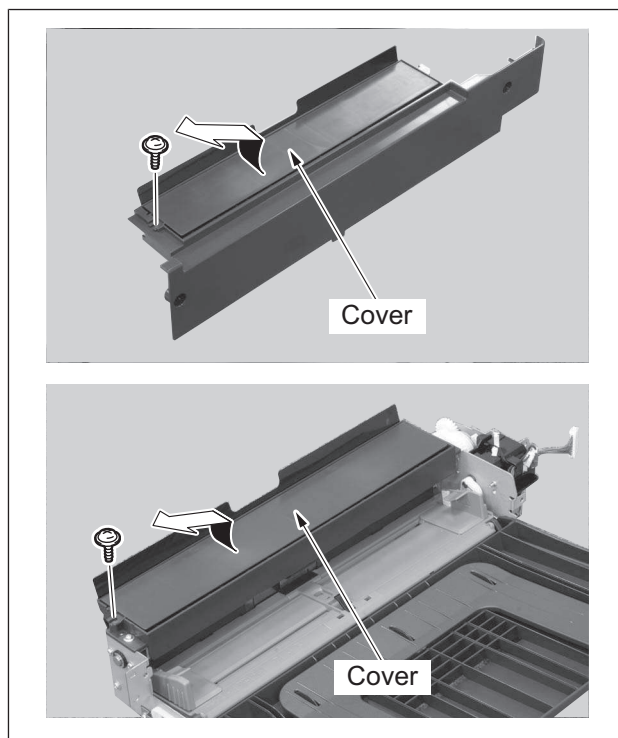
Be sure not to deform the film.



(5) Remove the indicated cover from the cover removed in step (4). (One screw)

Note:

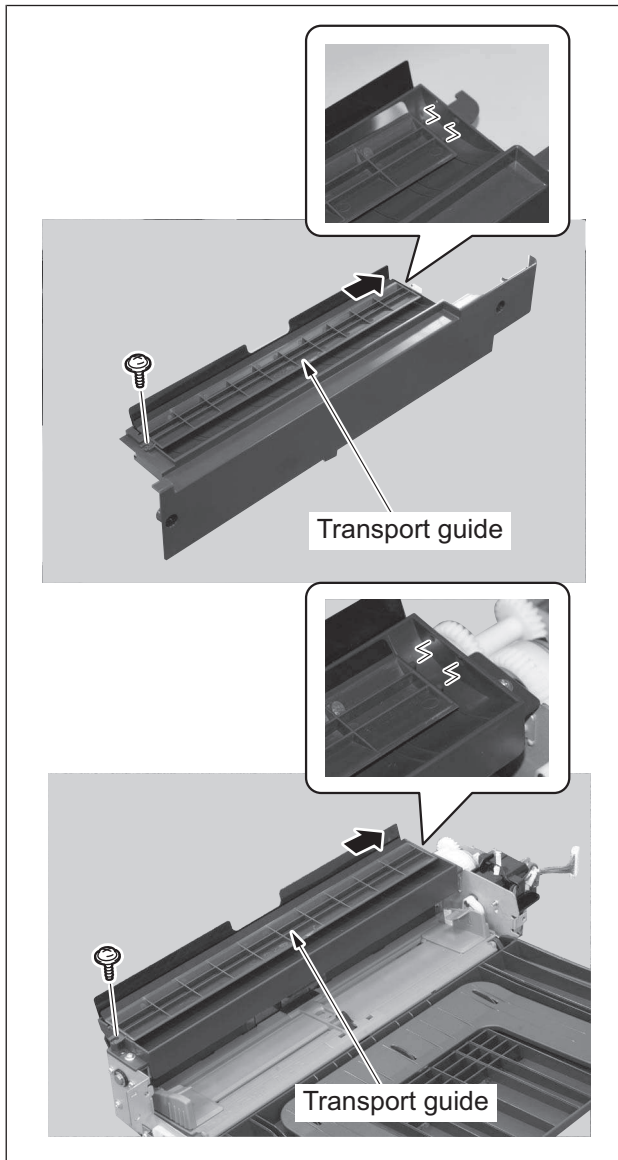
- If you remove the multi bypass tray in step (4), remove the indicated cover from the multi bypass tray.
- Be sure not to deform the film.



(6) Attach the supplied transport guide. (One supplied screw A)

Note:

If you remove the multi bypass tray in step (4), attach the transport guide to the multi bypass tray.

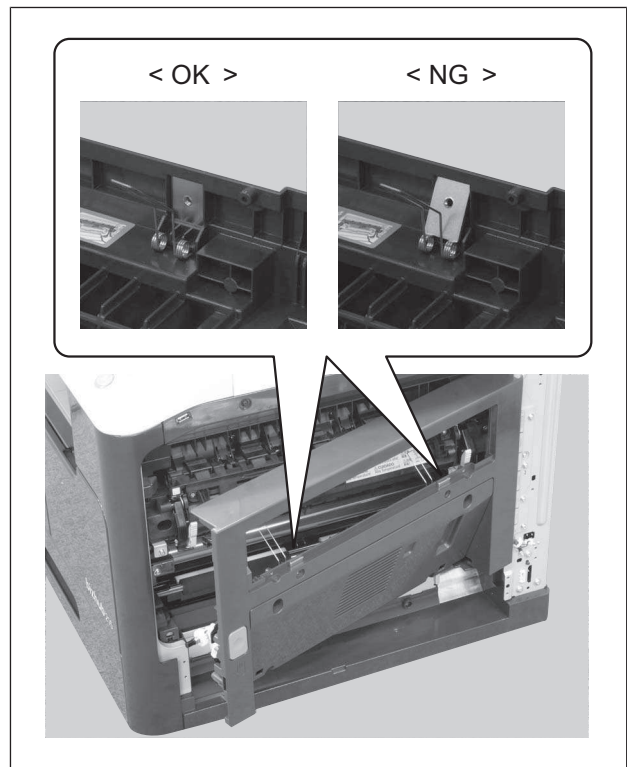


(7) Open the right door when it is closed.

(8) Attach the two supplied metal plates.

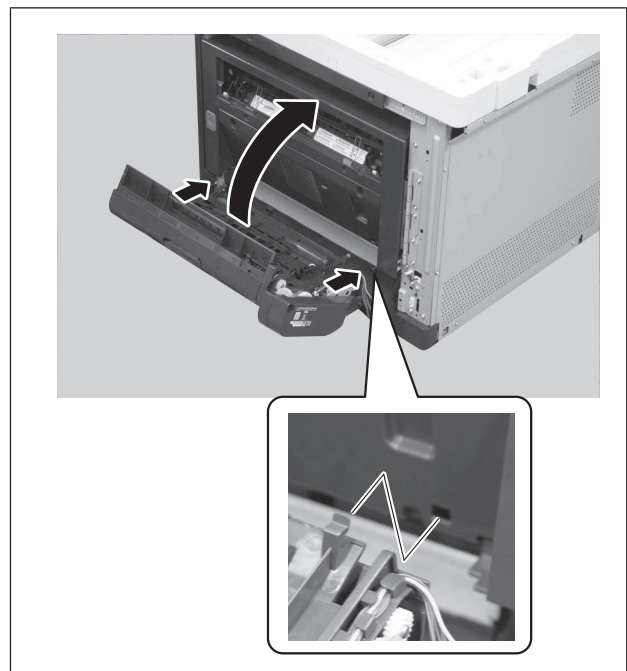
Note:

Make sure that the metal plates are in an upright position.



(9) Close the right door.

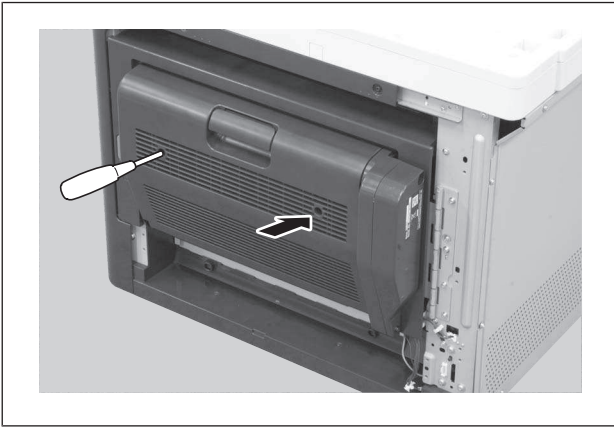
(10) Position the automatic duplex unit onto the right door.



(11) Tighten the two fixing screws of the automatic duplex unit.

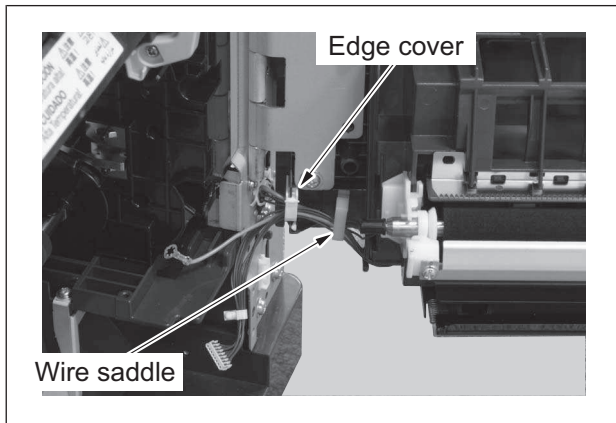
Note:

- Tighten the screw on the reference side (indicated by the arrow) first.
- Make sure the automatic duplex unit is not tilted.



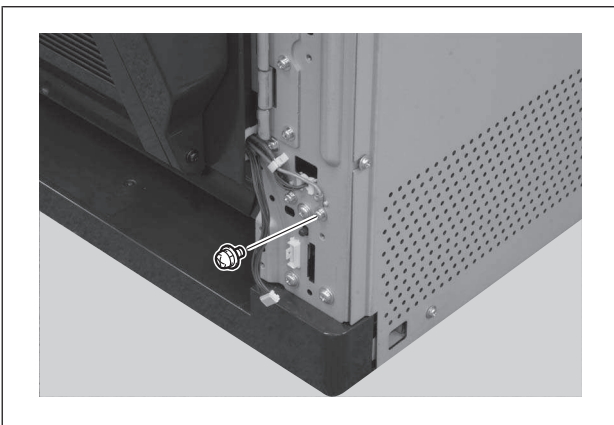
(12) Open the right door.

(13) Route the ground wire and wire harness of the automatic duplex unit as shown in the illustration, and route them through the edge cover and wire saddle.

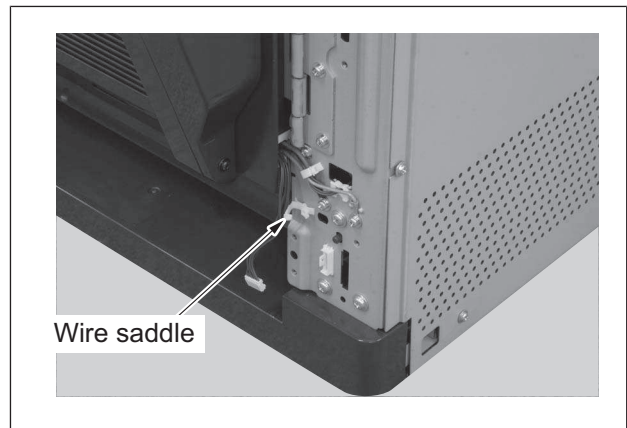


(14) Close the right door.

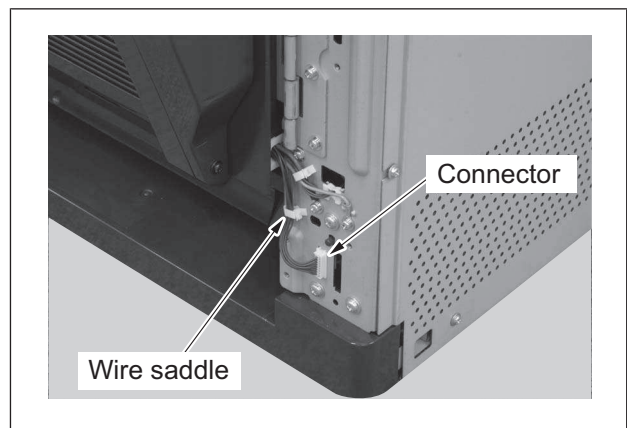
(15) Secure the ground wire terminal of the automatic duplex unit to the main body. (One supplied screw B)



(16) Attach the supplied wire saddle.



(17) Plug in the connector of the automatic duplex unit and route its cable through the wire saddle.



(18) Open the right door.

(19) Perform the following procedure.

<When the cover has been removed in step (4)>

- a) Reattach the cover removed in step (4). (Two screws)

Note:

When attaching the cover, be sure not to deform the film.

<When the multi bypass tray has been removed in step (4)>

- a) Reverse a) to e) of the step (4) to reinstall the multi bypass tray.

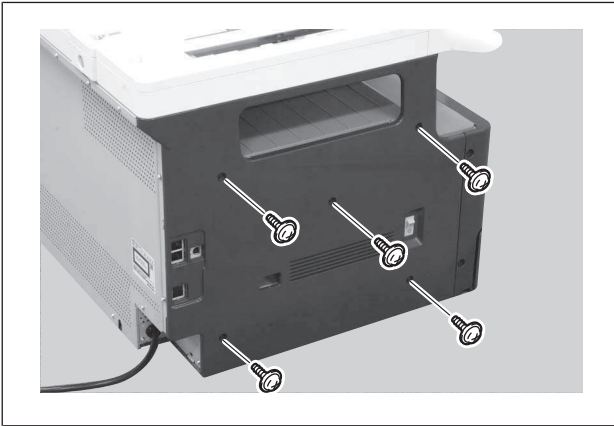
Note:

- When setting the multi bypass tray to the main body, be sure not to deform the film.
- When attaching the covers (left and right) removed in a), open the multi bypass tray and attach the covers to the main body, and then close the tray and screw the covers.

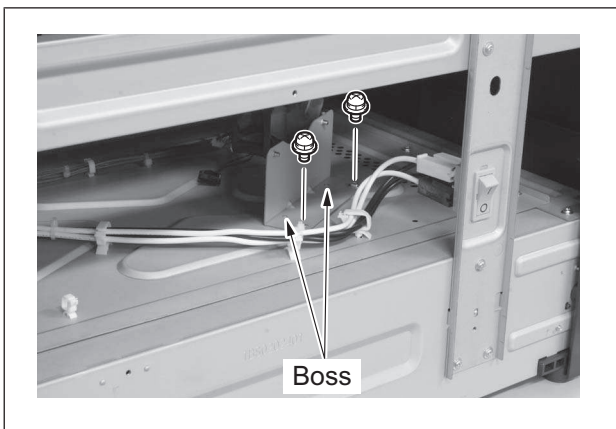
(20) Close the right door when it is open.

(21) Reattach the cover removed in step (2). (Two screws)

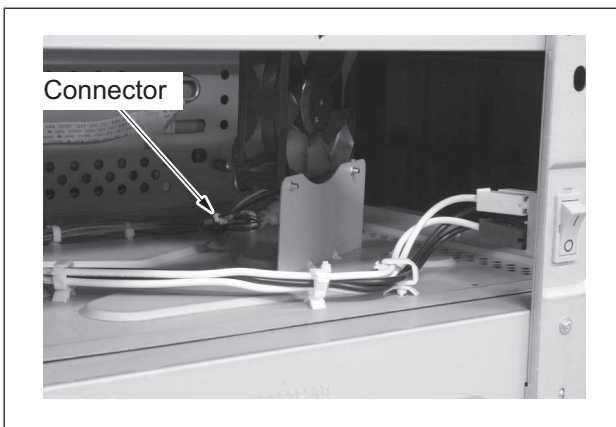
(22) Remove the left cover from the main body.
(Five screws)



(23) Fit the two bosses into the holes, and attach the supplied cooling fan assembly to the main body. (Two supplied screws B)



(24) Connect the connector of the cooling fan assembly to the main body.



(25) Reattach the left cover to the main body. (Five screws)